

# Bagfilter housing BFG-M



[-> to the product](#)

The BFG-M bag filter housings can hold 4, 6 or 8 filter bags of size 2 (=0.5m<sup>2</sup>) (larger housings on demand).

The lid is closed by eye nuts and can be easily lifted and moved to the side by using the swivel arm.

The product inlet is sideways at the top of the housing, the product outlet is at the opposite side or in the center of the bottom.

Our standard version has the outlet sideways opposite.

This allows a significantly lower overall height to be achieved and makes handling much easier when changing the filter bags.

For the version with the outlet in the center of the bottom, an optional 90° pipe elbow is available to divert the outlet to the side.



BFG-M6-S-DN200



BFG-M6-F-DN200-SG

## Technical data

Material:	Stainless steel AISI 304 or AISI 316
Surface:	Inside & Outside blasted
Working pressure:	6 bar or 10 bar
Working temperature:	+5 bis +80°C
Gasket:	EPDM (other on demand)
Fluidgroup:	2; liquid when pD ≤ 0,5 bar

## Connections

Type	N1	N2	N3	N4	N5
	Flange DIN 1092-1		Female thread DIN ISO 228 G/ BSPP		
BFG-M4	DN150	DN150	1/4"	1/2"	1"
BFG-M6					
BFG-M6	DN200	DN200			
BFG-M8					

## Order information

BFG-M

-  -  -  -

### Number of bags

4
6
8

Bigger housings on demand

### Material

S	Stainless steel AISI 304
F	Stainless steel AISI 316

### In-/Outlet

DN150	Flange DN150 <sup>1</sup>
DN200	Flange DN200 <sup>2</sup>

### Connection design

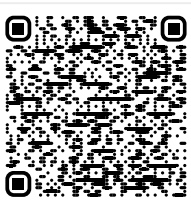
	Inlet: sideways Outlet: bottom center
SG	Sideways opposite

### Pressure level

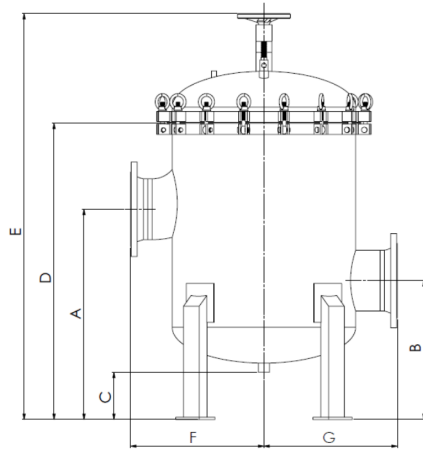
	6 bar
PN10	10 bar

Order example: BFG-M6-S-DN200-SG

<sup>1</sup>not for BFG-M8; <sup>2</sup>not for BFG-M4



[-> to the product](#)



The following table of dimensions shows the dimensions for Bagfilter housings in the connection variant:

SG - sideways oppsite

### Dimensions

Type	Bags	Eye nut	A	B	C	D	E	F	G
BFG-M4	4	12	790	450	160	1025	1384	428	
BFG-M6	6	16	757	500	170	1067	1462	481	
BFG-M8	8		900	610	245	1195	1611	531	



BFG-M6-F-DN200-SG

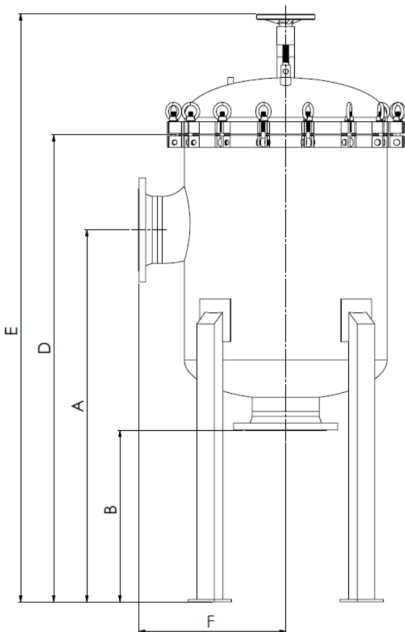
The following table of dimensions shows the dimensions for Bagfilter housings in the connection variant:

Inlet sideways

Outlet bottom center

### Dimensions

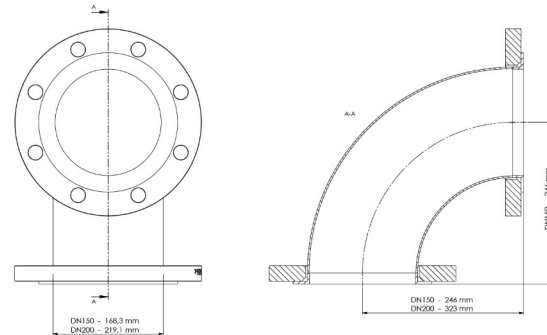
Type	Bags	Eye nut	A	B	D	E	F
BFG-M4-DN150	4	12	1150	450	1385	1744	428
BFG-M6-DN150	6	16	1105		1415	1810	481
BFG-M6-DN200			1215	560	1525	1920	531
BFG-M8-DN200	8	1275	1570		1986		



### Options:

Pipe elbow 90° DN150  
Pipe elbow 90° DN200

Versions with loose plate flange according DIN 1092-1



BFG-M4-S-DN150